



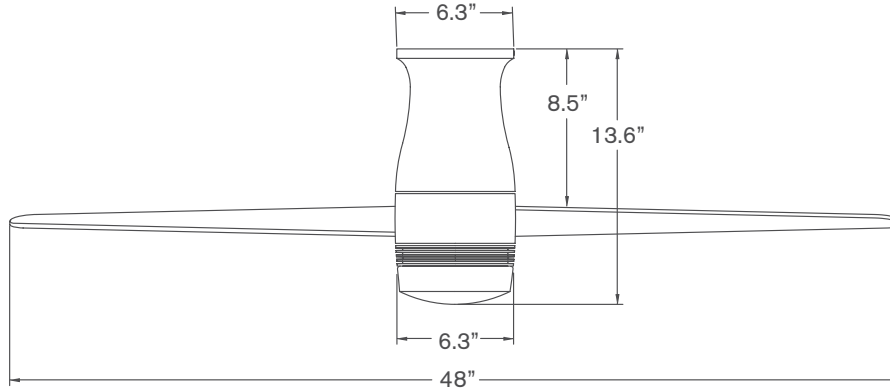
Velo Flush DC



Velo Flush DC > Configure item number from attributes below.

Finish	Blade Span	Blade Color	Light Option	Control Option
#VEL-FM -	-	-	-	-
▲ GW Gloss White BN Bright Nickel DB Dark Bronze	▲ 48 48" Span	▲ WH White NK Nickel DK Dark EB Ebony GY Graywash MP Maple MG Mahogany WW Whitewash	▲ NL No Light 853 17W LED	▲ WC Wall Control RC Remote Control CC Wall/Remote Combo

Dimensions



Specifications

- 6-speed, reversible DC motor
- Die cast aluminum construction
- 48" span, injection-molded ABS blades (solid color or surface-printed woodgrain)
- Optional LED light: 17W, 90 CRI, 3000K, 1530 lumens (dimnable) behind an opal glass diffuser; CA Title 24 (JA8) compliant
- For flat ceilings only
- Designed by Ron Rezek
- ETL listed for dry and damp locations
- Weight: 14.0 lbs (6.4 kgs)

Performance Data

LOWEST SPEED

RPM: 60
CFM: 633
Watts: 2.53
CFM/W: 250

HIGHEST SPEED

RPM: 235
CFM: 5,416
Watts: 34.47
CFM/W: 157

Energy Guide Data

Average Energy Use
22 Watts

Average Airflow
3,174 CFM

Yearly Energy Cost
\$6

Average Efficiency
145 CFM/Watt

Energy Guide Data represents weighted averages of low speed and high speed performance, assuming typical use (excluding light). For more information, visit www.modernfan.com.

Velo Flush DC

Gloss White with
White Blades
(no light)



Bright Nickel with
Maple Blades
(no light)



Dark Bronze with
Ebony Blades and
853 LED Light



FAN FINISHES

Gloss
White



Bright
Nickel



Dark
Bronze



INJECTION MOLDED BLADES

Injection molded blades are constructed of ABS plastic and painted with solid colors or surface-printed with woodgrain detailing as shown here.

White



Nickel



Dark



Ebony



Graywash



Maple



Mahogany



Whitewash



VELO FLUSH DC CONTROLS

Velo Flush DC controls use RF transmission to a receiving unit included with each fan, providing six speeds, reversing and light function (on/off or dimming). Control selection is made at time of order and incorporated into fan item number. Controls utilize dedicated (unique) RF channels to avoid interference with other ceiling fans installed nearby. The wall control (if ordered) also includes a master power switch.

Wall Control (WC)



Remote Control (RC)



Wall/Remote Combo (CC)



* The Velo Flush DC must use one of the above control options. Third party fan controls are not compatible with this product. The Remote Control (RC) can be used in combination with a standard power switch (on-off) in wall box.

** Wall control unit is designed for operation of a single fan/fan light only. For multiple units on a single switch leg, the remote control option can be used if the fans are within suitable range. Contact Modern Fan customer support with questions or for additional guidance.

*** To replace lost or damaged control components or to add secondary control to existing control sets (e.g. to add a handset to an existing wall control system), contact Modern Fan Co. customer support for ordering guidance.

MOUNTING

The Velo Flush DC installs with a flat mounting plate (included) for attachment to an appropriately rated junction box.

The Velo Flush DC is intended for flat, low ceilings (approximately 8'0").

For higher ceilings and/or for sloped ceilings, please select from one of our down rod suspended models.