



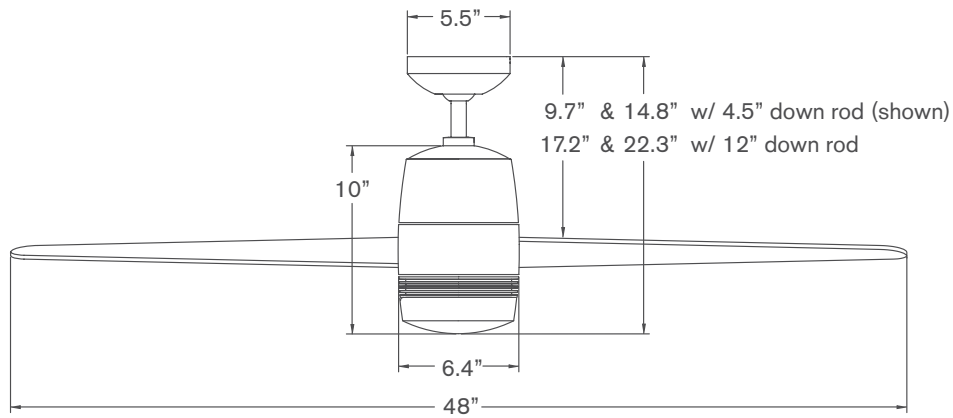
Velo DC



Velo DC > Configure item number from attributes below.

#VEL	Finish	Blade Span	Blade Color	Light Option	Control Option
-	-	-	-	-	-
▲	GW Gloss White	▲	WH White	▲	WC Wall Control
	BN Bright Nickel	48 48" Span	NK Nickel	NL No Light	RC Remote Control
	DB Dark Bronze		DK Dark	853 17W LED	CC Wall/Remote Combo
			EB Ebony		
			GY Graywash		
			MP Maple		
			MG Mahogany		
			WW Whitewash		

Dimensions



Specifications

- 6-speed, reversible DC motor
- Die cast aluminum construction
- 48" span, injection-molded ABS blades (solid color or surface-printed woodgrain)
- Includes 4.5" and 12" down rods (longer options also available)
- Optional LED light: 17W, 90 CRI, 3000K, 1530 lumens (dimnable) behind an opal glass diffuser; CA Title 24 (JA8) compliant
- Slope compatible up to 33°; adapter available for slopes up to 45°
- Designed by Ron Rezek
- ETL listed for dry and damp locations
- Weight: 14.0 lbs (6.4 kgs)

Performance Data

LOWEST SPEED

RPM: 60
CFM: 1,304
Watts: 2.58
CFM/W: 505

HIGHEST SPEED

RPM: 235
CFM: 5,998
Watts: 34.67
CFM/W: 173

Energy Guide Data

Average Energy Use
22 Watts

Average Airflow
3,798 CFM

Yearly Energy Cost
\$6

Average Efficiency
172 CFM/Watt

Energy Guide Data represents weighted averages of low speed and high speed performance, assuming typical use (excluding light). For more information, visit www.modernfan.com.

Velo DC

Gloss White with White Blades (no light)



Bright Nickel with Maple Blades (no light)



Dark Bronze with Ebony Blades and 853 LED Light



FAN FINISHES

Gloss White



Bright Nickel



Dark Bronze



INJECTION MOLDED BLADES

Injection molded blades are constructed of ABS plastic and painted with solid colors or surface-printed with woodgrain detailing as shown here.

White



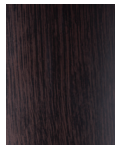
Nickel



Dark



Ebony



Graywash



Maple



Mahogany



Whitewash



VELO DC CONTROLS

Velo DC controls use RF transmission to a receiving unit included with each fan, providing six speeds, reversing and light function (on/off or dimming). Control selection is made at time of order and incorporated into fan item number. Controls utilize dedicated (unique) RF channels to avoid interference with other ceiling fans installed nearby. The wall control (if ordered) also includes a master power switch.

Wall Control (WC)



Remote Control (RC)



Wall/Remote Combo (CC)



* The Velo DC must use one of the above control options. Third party fan controls are not compatible with this product. The Remote Control (RC) can be used in combination with a standard power switch (on-off) in wall box.

** Wall control unit is designed for operation of a single fan/fan light only. For multiple units on a single switch leg, the remote control option can be used if the fans are within suitable range. Contact Modern Fan customer support with questions or for additional guidance.

*** To replace lost or damaged control components or to add secondary control to existing control sets (e.g. to add a handset to an existing wall control system), contact Modern Fan Co. customer support for ordering guidance.

DOWN RODS

The Velo DC ships standard with 4.5" and 12" down rods. Use the following part numbers to order accessory down rods.

#DRD	Finish	Length
-	-	-
▲	-	▲
GW	Gloss White	12 12"
BN	Bright Nickel	24 24"
DB	Dark Bronze	36 36"
		48 48"
		60 60"
		72 72"

SLOPE ADAPTER

The Velo DC will accommodate ceiling slopes up to 33 degrees. The #045 slope adapter can accommodate slopes exceeding 33 degrees and up to 45 degrees.

#045	Finish
-	-
▲	-
GW	Gloss White
BN	Bright Nickel
DB	Dark Bronze