



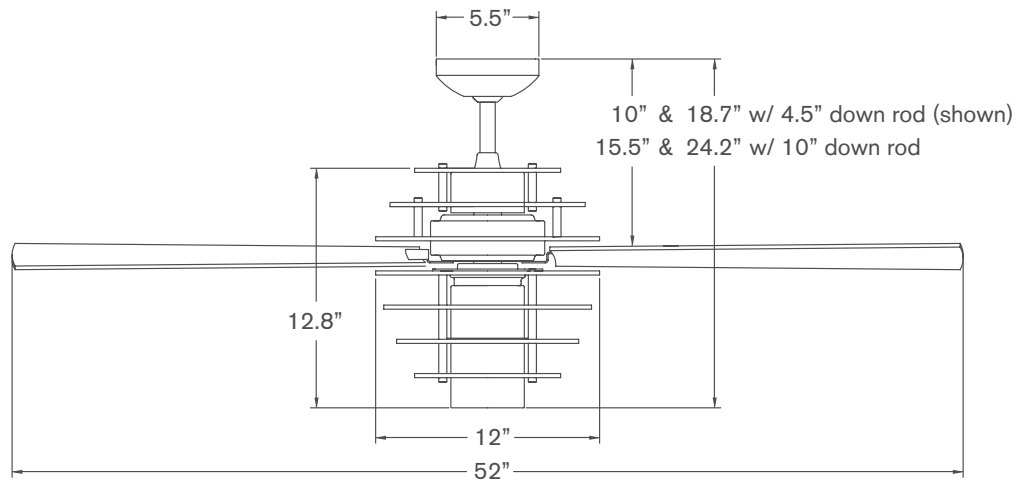
Stella



Stella > Configure item number from attributes below.

#SLA	Finish	Blade Span	Blade Color	Light Option	Control Option
-	-	-	-	-	-
▲	▲	▲	▲	▲	▲
	WH White/Gloss White	52 52" Span	WH White	LED 17W LED	002 Fan & Light – 3 Wire
	MP Maple/Dark Bronze		BK Black		003 Handheld Remote
	MG Mahog./Dark Bronze		MP Maple		004 Fan & Light – 2 Wire
			MG Mahogany		005 Wall/Remote Combo

Dimensions



Specifications

- 153mm x 18mm AC motor with reverse switch on fan body
- Die cast aluminum and stamped steel construction with plywood veneer and steel posts
- 52" span, plywood blades
- Includes 4.5" and 10" down rods (longer options also available)
- LED Light: 17W, 90 CRI, 3000K, 1600 lumens (dimnable) behind an opal glass diffuser; CA Title 24 (JA8) compliant
- Slope compatible up to 33°; adapter available for slopes up to 45°
- Designed by Dave Ellis
- ETL listed for dry and damp locations
- Weight: 20 lbs (9.1 kgs)

Performance Data

LOWEST SPEED

RPM: 70
CFM: 1,444
Watts: 10.94
CFM/W: 132

HIGHEST SPEED

RPM: 205
CFM: 4,983
Watts: 71.21
CFM/W: 70

Energy Guide Data

Average Energy Use
44 Watts

Average Airflow
3,324 CFM

Yearly Energy Cost
\$12

Average Efficiency
76 CFM/Watt

Energy Guide Data represents weighted averages of low speed and high speed performance, assuming typical use (excluding light). For more information, visit www.modernfan.com.

Stella

White/Gloss White with White Blades



Maple/Dark Bronze with Maple Blades



Mahogany/Dark Bronze with Mahogany Blades



FAN FINISHES

Gloss White Maple Mahogany Dark Bronze



PLYWOOD BLADES

Plywood blades are constructed of furniture grade veneers, painted or stained as shown here. Natural variations may exist in woodgrains and finishes.

White Black Maple Mahogany



STELLA FAN CONTROLS

Selection of a control option is made at time of order and incorporated into the fan item number (except #FC-009A and #FC-009B which are sold as accessory items).



#FC-001 Fan Speed Only Control (no light)

For a single AC fan, providing four speeds. Not intended for a fan with light. *Note: Not compatible with remote control.*



#FC-002 Fan & Light Control-3 Wire

For a single AC fan with LED light, providing four speeds and dimming function. Requires three wires from switch location to fan. *Note: Not compatible with remote control.*



#FC-003-LED Handheld Remote RF Control

Designed for independent operation a single AC fan or AC fan with LED light, providing three speeds and full range dimming (or "on/off" switching), using only one circuit (two wires). Includes RF handset, receiver, battery and comes with a wall mounting bracket for handset.



#FC-004-LED Fan & Light RF Control-2 Wire

Designed for independent operation of a single AC fan or AC fan with LED light, providing three speeds and full range dimming (or "on/off" switching), using only one circuit (two wires). Includes RF wall control (with master power switch), switch plate and receiver.



#FC-005-LED Wall/Remote Combo RF Control-2 Wire

Designed for independent operation of a single AC fan or AC fan with LED light, providing three speeds and full range dimming (or "on/off" switching), using only one circuit (two wires). Includes RF handset, RF wall control (with master power switch), switch plate and receiver.



#FC-009A / #FC-009B Multi-fan Speed Controls for AC Fans (no lights)

Sold as an accessory item, providing three speeds for multiple AC fans on a single switch leg. FC-009A for 2-3 fans FC-009B for 3-6 fans *Note: Not compatible with remote control. Control of fan lights must be accounted for separately with owner provided control on separate switch leg.*

DOWN RODS

The Stella ships standard with 4.5" and 10" down rods. Use the following part numbers to order accessory down rods.

	Finish	Length
#DRD	-	-
▲		▲
	GW Gloss White	12 12"
	DB Dark Bronze	24 24"
		36 36"
		48 48"
		60 60"
		72 72"

SLOPE ADAPTER

The Stella will accommodate ceiling slopes up to 33 degrees. The #045 slope adapter can accommodate slopes exceeding 33 degrees and up to 45 degrees.

	Finish
#045	-
▲	
	GW Gloss White
	DB Dark Bronze