



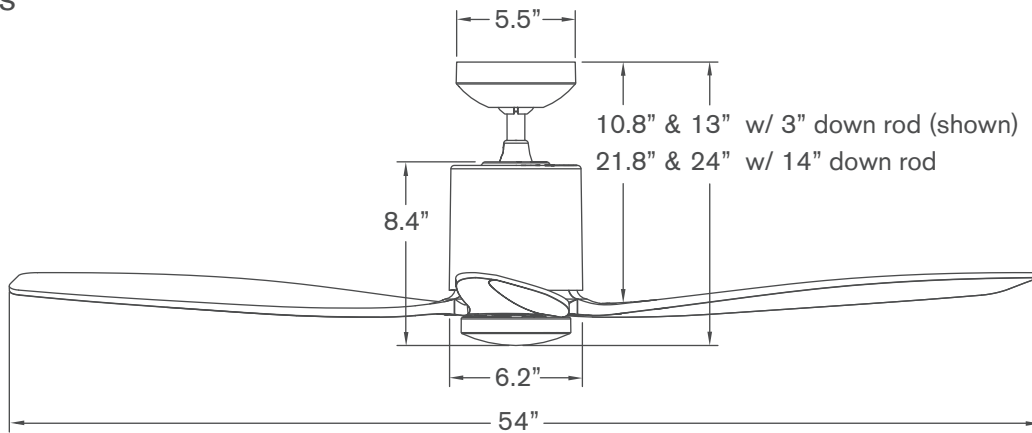
LeatherLuxe DC



LeatherLuxe DC > Configure item number from attributes below.

#LLX	Finish/Leather Color	Blade Span	Blade Color	Light Option	Control Option
-	-	-	-	-	-
▲	GWIV Gloss White/Ivory	▲ 54 54" Span	▲ EB Ebony	▲ NL No Light	▲ WC Wall Control
	GTGY Graphite/Gray		GY Graywash	271 17W LED	RC Remote Control
	DBTA Dark Bronze/Tan		MP Maple		CC Wall/Remote Combo
	DBCH Dark Bronze/Chocolate		MG Mahogany		
	DBBK Dark Bronze/Black		WW Whitewash		

Dimensions



Specifications

- 6-speed, reversible DC motor
- Die cast aluminum construction with leather wrap
- 54" span, solid wood blades
- Includes 3" and 14" down rods (longer options also available)
- Optional LED light: 17W, 90 CRI, 3000K, 1530 lumens (dimnable) behind opal glass diffuser; adds 0.75" to length of fan; CA Title 24 (JA8) compliant
- Slope compatible up to 33°; adapter available for slopes up to 45°
- Designed by Dave Ellis
- ETL listed for dry locations
- Weight: 13.0 lbs (5.9 kgs)

Performance Data

LOWEST SPEED

RPM: 55
CFM: 1,395
Watts: 2.5
CFM/W: 558

HIGHEST SPEED

RPM: 205
CFM: 5,332
Watts: 30.1
CFM/W: 177

Energy Guide Data

Average Energy Use
19 Watts

Average Airflow
3,486 CFM

Yearly Energy Cost
\$5

Average Efficiency
159 CFM/Watt

Energy Guide Data represents weighted averages of low speed and high speed performance, assuming typical use (excluding light). For more information, visit www.modernfan.com.

LeatherLuxe DC

Gloss White/Ivory with Whitewash Blades (no light)



Graphite/Gray with Graywash Blades (no light)

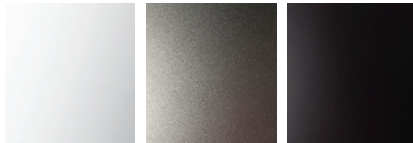


Dark Bronze/Chocolate with Mahogany Blades and 271 LED Light



FAN FINISHES

Gloss White Graphite Dark Bronze



LEATHER COLORS

Ivory Gray Tan Chocolate Black



SOLID WOOD BLADES

Solid wood blades are CNC milled from a light-weight and stable, plantation grown Paulownia, then hand-finished as shown here.

Ebony Graywash Maple Mahogany Whitewash



DOWN RODS

The LeatherLuxe DC ships standard with 3" and 14" down rods. Use the following part numbers to order accessory down rods.

	Finish	Length
#DRD	-	-
▲		▲
GW	Gloss White	12 12"
GT	Graphite	24 24"
DB	Dark Bronze	36 36"
		48 48"
		60 60"
		72 72"

LEATHERLUXE DC CONTROLS

LeatherLuxe DC controls use RF transmission to a receiving unit included with each fan, providing six speeds, reversing and light function (on/off or dimming). Control selection is made at time of order and incorporated into fan item number. Controls utilize dedicated (unique) RF channels to avoid interference with other ceiling fans installed nearby. The wall control (if ordered) also includes a master power switch.

Wall Control (WC)



Remote Control (RC)



Wall/Remote Combo (CC)



* The LeatherLuxe DC must use one of the above control options. Third party fan controls are not compatible with this product. The Remote Control (RC) can be used in combination with a standard power switch (on-off) in wall box.

** Wall control unit is designed for operation of a single fan/fan light only. For multiple units on a single switch leg, the remote control option can be used if the fans are within suitable range. Contact Modern Fan customer support with questions or for additional guidance.

*** To replace lost or damaged control components or to add secondary control to existing control sets (e.g. to add a handset to an existing wall control system), contact Modern Fan Co. customer support for ordering guidance.

SLOPE ADAPTER

The LeatherLuxe DC will accommodate ceiling slopes up to 33 degrees. The #045 slope adapter can accommodate slopes exceeding 33 degrees and up to 45 degrees.

	Finish
#045	-
▲	
GW	Gloss White
GT	Graphite
DB	Dark Bronze