



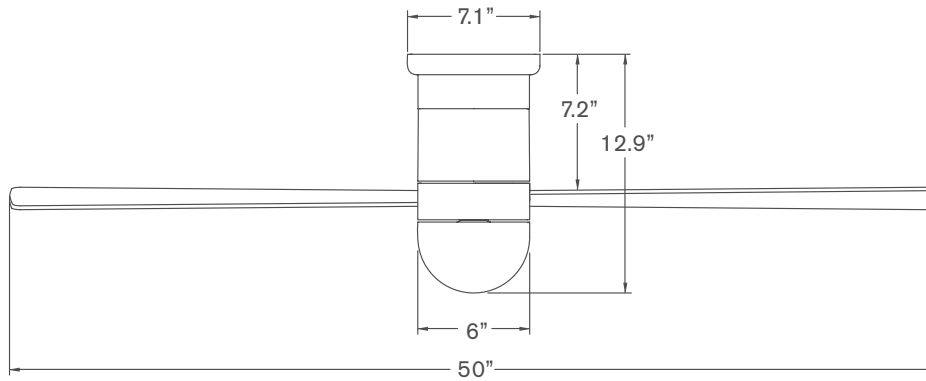
# Cirrus Flush DC



Cirrus Flush DC > Configure item number from attributes below.

Finish	Blade Span	Blade Color	Light Option	Control Option
#CIR-FM -	-	-	-	-
▲ <b>GW</b> Gloss White <b>BA</b> Brushed Aluminum	▲ <b>50</b> 50" Span	▲ <b>WH</b> White <b>AL</b> Aluminum <b>MP</b> Maple	▲ <b>NL</b> No Light <b>355</b> 17W LED	▲ <b>WC</b> Wall Control <b>RC</b> Remote Control <b>CC</b> Wall/Remote Combo

## Dimensions



## Specifications

- 6-speed, reversible DC motor
- Die cast aluminum construction
- 50" span, plywood blades
- Optional LED light: 17W, 90 CRI, 3000K, 1530 lumens (dimnable) behind an opal glass diffuser; CA Title 24 (JA8) compliant
- For flat ceilings only
- Designed by Ron Rezek
- ETL listed for dry and damp locations
- Weight: 14.0 lbs (6.4 kgs)

## Performance Data

### LOWEST SPEED

**RPM:** 65  
**CFM:** 589  
**Watts:** 2.74  
**CFM/W:** 215

### HIGHEST SPEED

**RPM:** 220  
**CFM:** 4,257  
**Watts:** 35.69  
**CFM/W:** 119

## Energy Guide Data

**Average Energy Use**  
23 Watts

**Average Airflow**  
2,538 CFM

**Yearly Energy Cost**  
\$6

**Average Efficiency**  
92 CFM/Watt

*Energy Guide Data represents weighted averages of low speed and high speed performance, assuming typical use (excluding light). For more information, visit [www.modernfan.com](http://www.modernfan.com).*

# Cirrus Flush DC

Gloss White with  
White Blades  
(no light)



Gloss White with  
Maple Blades  
(no light)



Brushed Aluminum  
with Maple  
Blades and  
355 LED Light



## FAN FINISHES

Gloss  
White



Brushed  
Aluminum



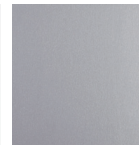
## PLYWOOD BLADES

Plywood blades are constructed of furniture grade veneers, painted or stained as shown here. Natural variations may exist in woodgrains and finishes.

White



Aluminum



Maple



## CIRRUS FLUSH DC CONTROLS

Cirrus Flush DC controls use RF transmission to a receiving unit included with each fan, providing six speeds, reversing and light function (on/off or dimming). Control selection is made at time of order and incorporated into fan item number. Controls utilize dedicated (unique) RF channels to avoid interference with other ceiling fans installed nearby. The wall control (if ordered) also includes a master power switch.

### Wall Control (WC)



### Remote Control (RC)



### Wall/Remote Combo (CC)



\* The Cirrus Flush DC must use one of the above control options. Third party fan controls are not compatible with this product. The Remote Control (RC) can be used in combination with a standard power switch (on-off) in wall box.

\*\* Wall control unit is designed for operation of a single fan/fan light only. For multiple units on a single switch leg, the remote control option can be used if the fans are within suitable range. Contact Modern Fan customer support with questions or for additional guidance.

\*\*\* To replace lost or damaged control components or to add secondary control to existing control sets (e.g. to add a handset to an existing wall control system), contact Modern Fan Co. customer support for ordering guidance.

## MOUNTING

The Cirrus Flush DC installs with a flat mounting plate (included) for attachment to an appropriately rated junction box.

The Cirrus Flush DC is intended for flat, low ceilings (approximately 8'0").

For higher ceilings and/or for sloped ceilings, please select from one of our down rod suspended models.