



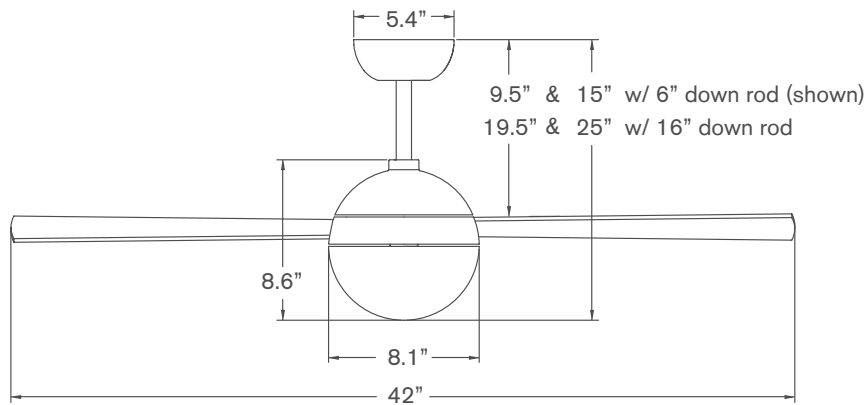
Ball | 42



Ball | 42 > Configure item number from attributes below.

| #BAL | Finish | Blade Span | Blade Color | Light Option | Control Option |
|-----------|------------------|--------------------|--------------------|--------------------|---------------------------------|
| - | - | - | - | - | - |
| ▲ | ▲ | ▲ | ▲ | ▲ | ▲ |
| GW | Gloss White | 42 42" Span | WH White | NL No Light | 001 Fan Speed Only |
| BA | Brushed Aluminum | | AL Aluminum | 652 20W LED | 002 Fan & Light – 3 Wire |
| | | | MP Maple | | 003 Handheld Remote |
| | | | | | 004 Fan & Light – 2 Wire |
| | | | | | 005 Wall/Remote Combo |

Dimensions



Also available in 52" blade span.

Specifications

- 153mm x 18mm AC motor with reverse switch on fan body
- Die cast aluminum construction
- 42" span, plywood blades
- Includes 6" and 16" down rods (longer options also available)
- Optional LED light: 20W, 90 CRI, 3000K, 1800 lumens (dimnable) behind opal glass diffuser; CA Title 24 (JA8) compliant
- Slope compatible up to 33°; adapter available for slopes up to 45°
- Designed by Ron Rezek
- ETL listed for dry and damp locations
- Weight: 16 lbs (7.3 kgs)

Performance Data

LOWEST SPEED

RPM: 120

CFM: 1,765

Watts: 13.12

CFM/W: 134.53

HIGHEST SPEED

RPM: 270

CFM: 3,772

Watts: 58.22

CFM/W: 64.79

Energy Guide Data

Average Energy Use
36 Watts

Average Airflow
2,831 CFM

Yearly Energy Cost
\$10

Average Efficiency
78 CFM/Watt

* Energy Guide Data represents weighted averages of low speed and high speed performance, assuming typical use (excluding light). For more information, visit www.modernfan.com.

Ball | 42

Gloss White with White Blades (no light)



Brushed Aluminum with Maple Blades (no light)



Brushed Aluminum with Aluminum Blades and 652 LED Light



FAN FINISHES

Gloss White



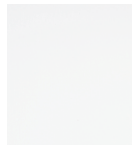
Brushed Aluminum



PLYWOOD BLADES

Plywood blades are constructed of furniture grade veneers, painted or stained as shown here. Natural variations may exist in woodgrains and finishes.

White



Aluminum



Maple



BALL FAN CONTROLS

Selection of a control option is made at time of order and incorporated into the fan item number (except #FC-009A and #FC-009B which are sold as accessory items).



#FC-001 Fan Speed Only Control
(no light)

For a single AC fan, providing four speeds. Not intended for a fan with light. *Note: Not compatible with remote control.*



#FC-002 Fan & Light Control-3 Wire

For a single AC fan with LED light, providing four speeds and dimming function. Requires three wires from switch location to fan. *Note: Not compatible with remote control.*



#FC-003-LED Handheld Remote RF Control

Designed for independent operation a single AC fan or AC fan with LED light, providing three speeds and full range dimming (or "on/off" switching), using only one circuit (two wires). Includes RF handset, receiver, battery and comes with a wall mounting bracket for handset.



#FC-004-LED Fan & Light RF Control-2 Wire

Designed for independent operation of a single AC fan or AC fan with LED light, providing three speeds and full range dimming (or "on/off" switching), using only one circuit (two wires). Includes RF wall control (with master power switch), switch plate and receiver.



#FC-005-LED Wall/Remote Combo RF Control-2 Wire

Designed for independent operation of a single AC fan or AC fan with LED light, providing three speeds and full range dimming (or "on/off" switching), using only one circuit (two wires). Includes RF handset, RF wall control (with master power switch), switch plate and receiver.



#FC-009A / #FC-009B Multi-fan Speed Controls for AC Fans
(no lights)

Sold as an accessory item, providing three speeds for multiple AC fans on a single switch leg. FC-009A for 2-3 fans FC-009B for 3-6 fans *Note: Not compatible with remote control. Control of fan lights must be accounted for separately with owner provided control on separate switch leg.*

DOWN RODS

The Ball ships standard with 6" and 16" down rods. Use the following part numbers to order accessory down rods.

| | Finish | Length |
|-----------|------------------|--------|
| #DRD | - | - |
| ▲ | | ▲ |
| GW | Gloss White | 12 12" |
| BA | Brushed Aluminum | 24 24" |
| | | 36 36" |
| | | 48 48" |
| | | 60 60" |
| | | 72 72" |

SLOPE ADAPTER

The Ball will accommodate ceiling slopes up to 33 degrees. The #045 slope adapter can accommodate slopes exceeding 33 degrees and up to 45 degrees.

| | Finish |
|-----------|------------------|
| #045 | - |
| ▲ | |
| GW | Gloss White |
| BA | Brushed Aluminum |