



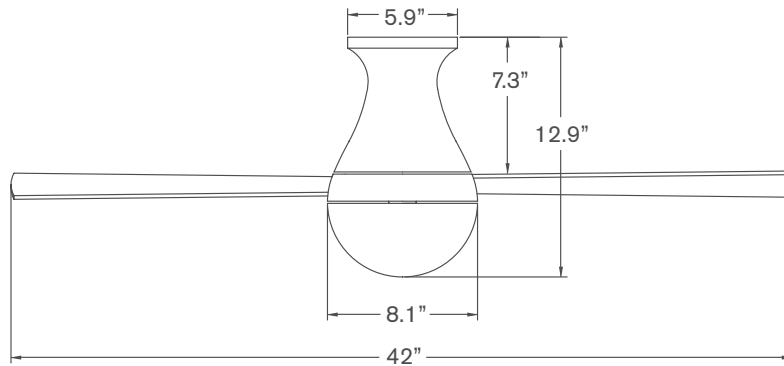
Ball Flush | 42



Ball Flush | 42 > Configure item number from attributes below.

Finish	Blade Span	Blade Color	Light Option	Control Option
#BAL-FM -	-	-	-	-
▲ GW Gloss White BA Brushed Aluminum	▲ 42 42" Span	▲ WH White AL Aluminum MP Maple	▲ NL No Light 652 20W LED	▲ 001 Fan Speed Only 002 Fan & Light – 3 Wire 003 Handheld Remote 004 Fan & Light – 2 Wire 005 Wall/Remote Combo

Dimensions



Also available in 52" blade span.

Specifications

- 153mm x 18mm AC motor with reverse switch on fan body
- Die cast aluminum construction
- 42" span, plywood blades
- Optional LED light: 20W, 90 CRI, 3000K, 1800 lumens (dimmable) behind opal glass diffuser; CA Title 24, JA8-2019 compliant
- For flat ceilings only
- Designed by Ron Rezek
- ETL listed for dry and damp locations
- Weight: 16 lbs (7.3 kgs)

Performance Data

LOWEST SPEED

RPM: 120

CFM: 1,587

Watts: 12.95

CFM/W: 122.55

HIGHEST SPEED

RPM: 270

CFM: 3,418

Watts: 57.12

CFM/W: 59.84

Energy Guide Data

Average Energy Use
37 Watts

Average Airflow
2,560 CFM

Yearly Energy Cost
\$10

Average Efficiency
69 CFM/Watt

* Energy Guide Data represents weighted averages of low speed and high speed performance, assuming typical use (excluding light). For more information, visit www.modernfan.com.

Ball Flush | 42

Gloss White with
White Blades
(no light)



Gloss White
with Maple Blades
(no light)



Brushed Aluminum
with Aluminum Blades
and 652 LED Light



FAN FINISHES

Gloss
White



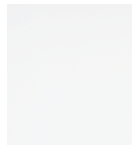
Brushed
Aluminum



PLYWOOD BLADES

Plywood blades are constructed of furniture grade veneers, painted or stained as shown here. Natural variations may exist in woodgrains and finishes.

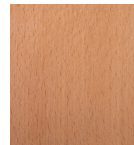
White



Aluminum



Maple



BALL FLUSH FAN CONTROLS

Selection of a control option is made at time of order and incorporated into the fan item number (except #FC-009A and #FC-009B which are sold as accessory items).



#FC-001 Fan Speed Only Control (no light)

For a single AC fan, providing four speeds. Not intended for a fan with light. *Note: Not compatible with remote control.*



#FC-002 Fan & Light Control-3 Wire

For a single AC fan with LED light, providing four speeds and dimming function. Requires three wires from switch location to fan. *Note: Not compatible with remote control.*



#FC-003-LED Handheld Remote RF Control

Designed for independent operation a single AC fan or AC fan with LED light, providing three speeds and full range dimming (or "on/off" switching), using only one circuit (two wires). Includes RF handset, receiver, battery and comes with a wall mounting bracket for handset.



#FC-004-LED Fan & Light RF Control-2 Wire

Designed for independent operation of a single AC fan or AC fan with LED light, providing three speeds and full range dimming (or "on/off" switching), using only one circuit (two wires). Includes RF wall control (with master power switch), switch plate and receiver.



#FC-005-LED Wall/Remote Combo RF Control-2 Wire

Designed for independent operation of a single AC fan or AC fan with LED light, providing three speeds and full range dimming (or "on/off" switching), using only one circuit (two wires). Includes RF handset, RF wall control (with master power switch), switch plate and receiver.



#FC-009A / #FC-009B Multi-fan Speed Controls for AC Fans

(no lights)
Sold as an accessory item, providing three speeds for multiple AC fans on a single switch leg.
FC-009A for 2-3 fans
FC-009B for 3-6 fans
Note: Not compatible with remote control. Control of fan lights must be accounted for separately with owner provided control on separate switch leg.

MOUNTING

The Ball Flush installs with a flat mounting plate (included) for attachment to an appropriately rated junction box.

The Ball Flush is intended for flat, low ceilings (approximately 8'0"). For higher ceilings and/or for sloped ceilings, please select from one of our down rod suspended models.