



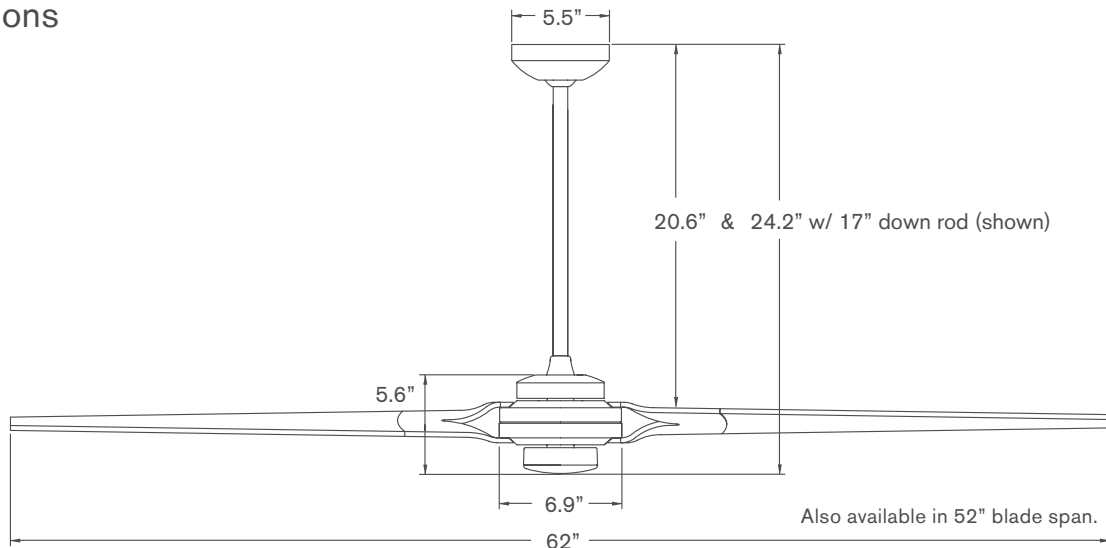
# Torsion 62



Torsion 62 > Configure item number from attributes below.

#TOR	Finish	Blade Span	Blade Color	Light Option	Control Option
-	-	-	-	-	-
▲	▲	▲	▲	▲	▲
	<b>GW</b> Gloss White	<b>62</b> 62" Span	<b>WH</b> White	<b>NL</b> No Light	<b>001</b> Fan Speed Only
	<b>BN</b> Bright Nickel		<b>NK</b> Nickel	<b>271</b> 17W LED	<b>002</b> Fan & Light – 3 Wire
	<b>DB</b> Dark Bronze		<b>BK</b> Black	<b>272</b> 20W LED	<b>003</b> Handheld Remote
			<b>GY</b> Graywash		<b>004</b> Fan & Light – 2 Wire
			<b>MP</b> Maple		<b>005</b> Wall/Remote Combo
			<b>MG</b> Mahogany		
			<b>WW</b> Whitewash		

## Dimensions



## Specifications

- 172mm x 20mm AC motor with reverse switch on fan body
  - Die cast aluminum and stamped steel construction
  - 62" span, plywood blades
  - Includes a 17" down rod\* (longer options also available)
  - Optional LED light (#271): 17W, 90 CRI, 3000K, 1530 lumens (dimnable) behind an opal glass diffuser; adds 1.5" to length of fan; CA Title 24, JA8-2019 compliant
  - Optional LED light (#272): 20W, 90 CRI, 3000K, 1800 lumens (dimnable) behind opal glass diffuser; adds 1" to length of fan; CA Title 24, JA8-2019 compliant
  - Slope compatible up to 33°; adapter available for slopes up to 45°
  - Designed by Dave Ellis
  - ETL listed for dry and damp locations
  - Weight: 15 lbs (6.8 kgs)
- \* For ceilings 9-feet or higher (use Torsion 52" for lower ceilings)

## Performance Data

<b>LOWEST SPEED</b>
<b>RPM:</b> 50
<b>CFM:</b> 1,685
<b>Watts:</b> 10.67
<b>CFM/W:</b> 158
<b>HIGHEST SPEED</b>
<b>RPM:</b> 150
<b>CFM:</b> 6,263
<b>Watts:</b> 71.11
<b>CFM/W:</b> 87

## Energy Guide Data

<b>Average Energy Use</b>
44 Watts
<b>Average Airflow</b>
4,116 CFM
<b>Yearly Energy Cost</b>
\$12
<b>Average Efficiency</b>
94 CFM/Watt

Energy Guide Data represents weighted averages of low speed and high speed performance, assuming typical use (excluding light). For more information, visit [www.modernfan.com](http://www.modernfan.com).

# Torsion 62

Gloss White with Mahogany Blades (no light)

Bright Nickel with Whitewash Blades and 271 LED Light

Dark Bronze with Maple Blades and 272 LED Light



## FAN FINISHES

Gloss White    Bright Nickel    Dark Bronze



## PLYWOOD BLADES

Plywood blades are constructed of furniture grade veneers, painted or stained as shown here. Natural variations may exist in woodgrains and finishes.

White    Nickel    Black    Graywash    Maple    Mahogany    Whitewash



## TORSION FAN CONTROLS

Selection of a control option is made at time of order and incorporated into the fan item number (except #FC-009A and #FC-009B which are sold as accessory items).



**#FC-001**  
**Fan Speed Only Control**  
*(no light)*

For a single AC fan, providing four speeds. Not intended for a fan with light. *Note: Not compatible with remote control.*



**#FC-002**  
**Fan & Light Control-3 Wire**

For a single AC fan with LED light, providing four speeds and dimming function. Requires three wires from switch location to fan. *Note: Not compatible with remote control.*



**#FC-003-LED**  
**Handheld Remote RF Control**

Designed for independent operation a single AC fan or AC fan with LED light, providing three speeds and full range dimming (or "on/off" switching), using only one circuit (two wires). Includes RF handset, receiver, battery and comes with a wall mounting bracket for handset.



**#FC-004-LED Fan & Light RF Control-2 Wire**

Designed for independent operation of a single AC fan or AC fan with LED light, providing three speeds and full range dimming (or "on/off" switching), using only one circuit (two wires). Includes RF wall control (with master power switch), switch plate and receiver.



**#FC-005-LED**  
**Wall/Remote Combo RF Control-2 Wire**

Designed for independent operation of a single AC fan or AC fan with LED light, providing three speeds and full range dimming (or "on/off" switching), using only one circuit (two wires). Includes RF handset, RF wall control (with master power switch), switch plate and receiver.



**#FC-009A / #FC-009B**  
**Multi-fan Speed Controls for AC Fans**  
*(no lights)*

Sold as an accessory item, providing three speeds for multiple AC fans on a single switch leg. FC-009A for 2-3 fans FC-009B for 3-6 fans *Note: Not compatible with remote control. Control of fan lights must be accounted for separately with owner provided control on separate switch leg.*

## DOWN RODS

The Torsion ships standard with 17" down rod. Use the following part numbers to order accessory down rods.

#DRD	Finish	Length
-	-	-
▲	-	▲
<b>GW</b>	Gloss White	12 12"
<b>BN</b>	Bright Nickel	24 24"
<b>DB</b>	Dark Bronze	36 36"
		48 48"
		60 60"
		72 72"

## SLOPE ADAPTER

The Torsion will accommodate ceiling slopes up to 33 degrees. The #045 slope adapter can accommodate slopes exceeding 33 degrees and up to 45 degrees.

#045	Finish
-	-
▲	-
<b>GW</b>	Gloss White
<b>BN</b>	Bright Nickel
<b>DB</b>	Dark Bronze