



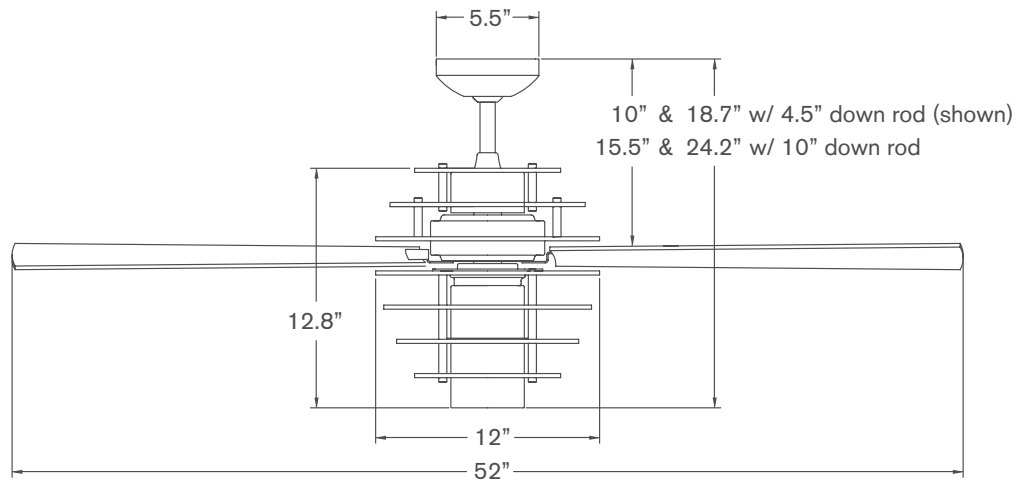
# Stella



Stella > Configure item number from attributes below.

#SLA	Finish	Blade Span	Blade Color	Light Option	Control Option
-	-	-	-	-	-
▲	▲	▲	▲	▲	▲
	<b>WH</b> White/Gloss White	<b>52</b> 52" Span	<b>WH</b> White	<b>LED</b> 17W LED	<b>002</b> Fan & Light – 3 Wire
	<b>MP</b> Maple/Dark Bronze		<b>BK</b> Black		<b>003</b> Handheld Remote
	<b>MG</b> Mahog./Dark Bronze		<b>MP</b> Maple		<b>004</b> Fan & Light – 2 Wire
			<b>MG</b> Mahogany		<b>005</b> Wall/Remote Combo

## Dimensions



## Specifications

- 153mm x 18mm AC motor with reverse switch on fan body
- Die cast aluminum and stamped steel construction with plywood veneer and steel posts
- 52" span, plywood blades
- Includes 4.5" and 10" down rods (longer options also available)
- LED Light: 17W, 90 CRI, 3000K, 1600 lumens (dimnable) behind an opal glass diffuser; CA Title 24, JA8-2019 compliant
- Slope compatible up to 33°; adapter available for slopes up to 45°
- Designed by Dave Ellis
- ETL listed for dry and damp locations
- Weight: 20 lbs (9.1 kgs)

## Performance Data

### LOWEST SPEED

**RPM:** 70  
**CFM:** 1,444  
**Watts:** 10.94  
**CFM/W:** 132

### HIGHEST SPEED

**RPM:** 205  
**CFM:** 4,983  
**Watts:** 71.21  
**CFM/W:** 70

## Energy Guide Data

**Average Energy Use**  
44 Watts

**Average Airflow**  
3,324 CFM

**Yearly Energy Cost**  
\$12

**Average Efficiency**  
76 CFM/Watt

*Energy Guide Data represents weighted averages of low speed and high speed performance, assuming typical use (excluding light). For more information, visit [www.modernfan.com](http://www.modernfan.com).*

# Stella

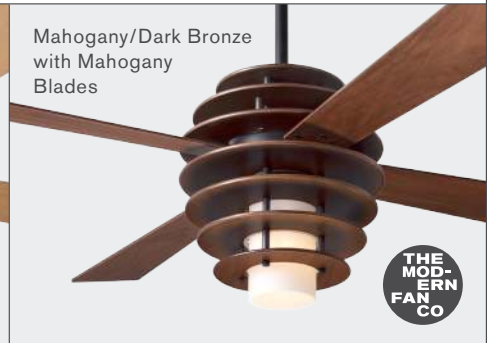
White/Gloss White with White Blades



Maple/Dark Bronze with Maple Blades

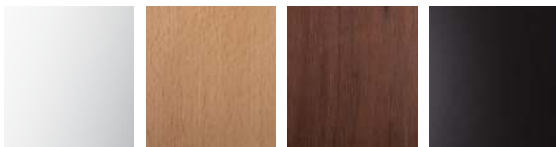


Mahogany/Dark Bronze with Mahogany Blades



## FAN FINISHES

Gloss White    Maple    Mahogany    Dark Bronze



## PLYWOOD BLADES

Plywood blades are constructed of furniture grade veneers, painted or stained as shown here. Natural variations may exist in woodgrains and finishes.

White    Black    Maple    Mahogany



## STELLA FAN CONTROLS

Selection of a control option is made at time of order and incorporated into the fan item number (except #FC-009A and #FC-009B which are sold as accessory items).



**#FC-001**  
**Fan Speed Only Control**  
*(no light)*

For a single AC fan, providing four speeds. Not intended for a fan with light. *Note: Not compatible with remote control.*



**#FC-002**  
**Fan & Light Control—3 Wire**

For a single AC fan with LED light, providing four speeds and dimming function. Requires three wires from switch location to fan. *Note: Not compatible with remote control.*



**#FC-003-LED**  
**Handheld Remote RF Control**

Designed for independent operation a single AC fan or AC fan with LED light, providing three speeds and full range dimming (or "on/off" switching), using only one circuit (two wires). Includes RF handset, receiver, battery and comes with a wall mounting bracket for handset.



**#FC-004-LED Fan & Light RF Control—2 Wire**

Designed for independent operation of a single AC fan or AC fan with LED light, providing three speeds and full range dimming (or "on/off" switching), using only one circuit (two wires). Includes RF wall control (with master power switch), switch plate and receiver.



**#FC-005-LED**  
**Wall/Remote Combo RF Control—2 Wire**

Designed for independent operation of a single AC fan or AC fan with LED light, providing three speeds and full range dimming (or "on/off" switching), using only one circuit (two wires). Includes RF handset, RF wall control (with master power switch), switch plate and receiver.



**#FC-009A / #FC-009B**  
**Multi-fan Speed Controls for AC Fans**  
*(no lights)*

Sold as an accessory item, providing three speeds for multiple AC fans on a single switch leg. FC-009A for 2-3 fans FC-009B for 3-6 fans *Note: Not compatible with remote control. Control of fan lights must be accounted for separately with owner provided control on separate switch leg.*

## DOWN RODS

The Stella ships standard with 4.5" and 10" down rods. Use the following part numbers to order accessory down rods.

	Finish	Length
#DRD	-	-
▲		▲
	<b>GW</b> Gloss White	12 12"
	<b>DB</b> Dark Bronze	24 24"
		36 36"
		48 48"
		60 60"
		72 72"

## SLOPE ADAPTER

The Stella will accommodate ceiling slopes up to 33 degrees. The #045 slope adapter can accommodate slopes exceeding 33 degrees and up to 45 degrees.

	Finish
#045	-
▲	
	<b>GW</b> Gloss White
	<b>DB</b> Dark Bronze