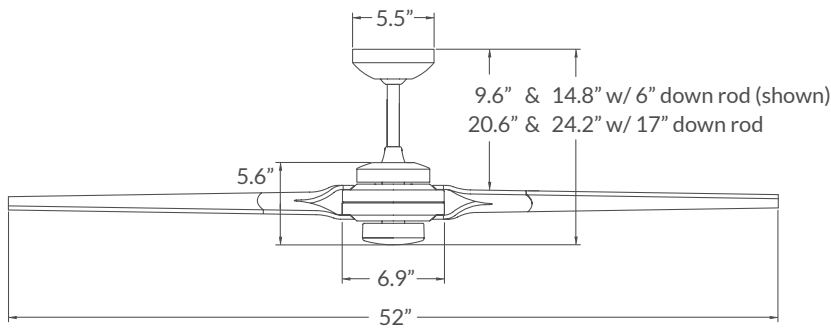




tel 541-482-8545  
www.modernfan.com

>> Gloss White with 52" White Blades



## Torsion

52" fan includes 6" and 17" down rods, yielding 14.8" or 24.2" overall lengths.  
Optional down rods available.

	Finish	Blade Span	Blade Color	Light Option	Control Option
<b>#TOR</b>					
	▲ <b>GW</b> Gloss White <b>BN</b> Bright Nickel <b>DB</b> Dark Bronze	▲ <b>62</b> 62" Span <b>52</b> 52" Span	▲ <b>WH</b> White <b>NK</b> Nickel <b>BK</b> Black <b>MP</b> Maple <b>MG</b> Mahogany	▲ <b>NL</b> No Light <b>271</b> 17W LED	▲ <b>001</b> Fan Speed Only <b>002</b> Fan & Light - 3 Wire <b>003</b> Handheld Remote <b>004</b> Fan & Light - 2 Wire <b>005</b> Wall/Remote Combo

### Energy Guide Data (52" Blade Span)

Average Energy Use	Yearly Energy Cost	Average Airflow	Average Efficiency
44 Watts	\$12	3,425 CFM	78 CFM/Watt

### Torsion Special Notes

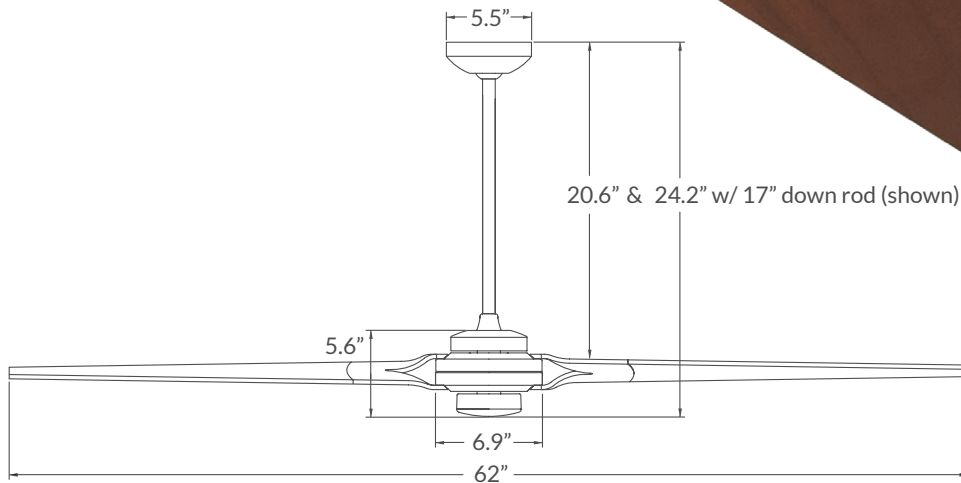
- The #271 light kit add 1.5-inches to length of this fan.

Above estimates are weighted averages, assuming typical use (excluding light).



tel 541-482-8545  
www.modernfan.com

Dark Bronze with 62" Mahogany Blades



Gloss White



Dark Bronze with Black Blades



Bright Nickel with 271 Light

## Torsion

62" fan includes 17" down rod, yielding 24.2" overall lengths.  
Optional down rods available.

	Finish	Blade Span	Blade Color	Light Option	Control Option
<b>#TOR</b>					
	▲ <b>GW</b> Gloss White <b>BN</b> Bright Nickel <b>DB</b> Dark Bronze	▲ <b>62</b> 62" Span <b>52</b> 52" Span	▲ <b>WH</b> White <b>NK</b> Nickel <b>BK</b> Black <b>MP</b> Maple <b>MG</b> Mahogany	▲ <b>NL</b> No Light <b>271</b> 17W LED	▲ <b>001</b> Fan Speed Only <b>002</b> Fan & Light - 3 Wire <b>003</b> Handheld Remote <b>004</b> Fan & Light - 2 Wire <b>005</b> Wall/Remote Combo

### Energy Guide Data (62" Blade Span)

Average Energy Use	Yearly Energy Cost	Average Airflow	Average Efficiency
44 Watts	\$12	4,116 CFM	94 CFM/Watt

Above estimates are weighted averages, assuming typical use (excluding light).

### Torsion Special Notes

- The #271 light kit add 1.5-inches to length of this fan.