



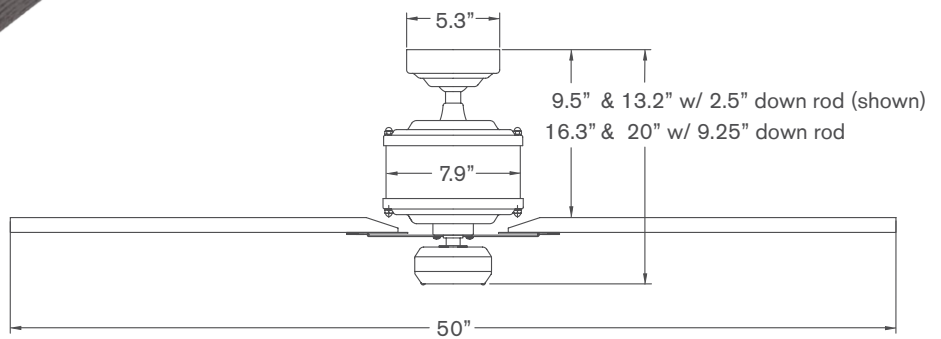
Galvanized  
with Maple Blades



tel 541-482-8545  
www.modernfan.com



Dark Bronze with  
Graywash Blades



Dark Bronze  
with Mahogany Blades



Galvanized with Whitewash  
Blades and 272 Light

## Industry DC

Includes 2.5" and 9.25" down rods, yielding 9.5" or 13.2" overall lengths.  
Optional down rods available.

	Finish	Blade Span	Blade Color	Light Option	Control Option
#IND-					
	<ul style="list-style-type: none"> <li>GV Galvanized</li> <li>DB Dark Bronze</li> </ul>	<ul style="list-style-type: none"> <li>50 50" Span</li> </ul>	<ul style="list-style-type: none"> <li>WH White</li> <li>SV Silver</li> <li>BK Black</li> <li>GY Graywash</li> <li>MG Mahogany</li> <li>MP Maple</li> <li>WW Whitewash</li> </ul>	<ul style="list-style-type: none"> <li>NL No Light</li> <li>272 20W LED</li> </ul>	<ul style="list-style-type: none"> <li>WC Wall Control</li> <li>RC Remote Control</li> <li>CC Combo Wall/remote</li> </ul>

### Energy Guide Data

Average Energy Use	Yearly Energy Cost	Average Airflow	Average Efficiency
22 Watts	\$6	4,113 CFM	157 CFM/Watt

Above estimates are weighted averages, assuming typical use (excluding light).