



Bright Nickel with 552 Light



tel 541-482-8545  
www.modernfan.com

>> Bright Nickel  
with Maple Blades



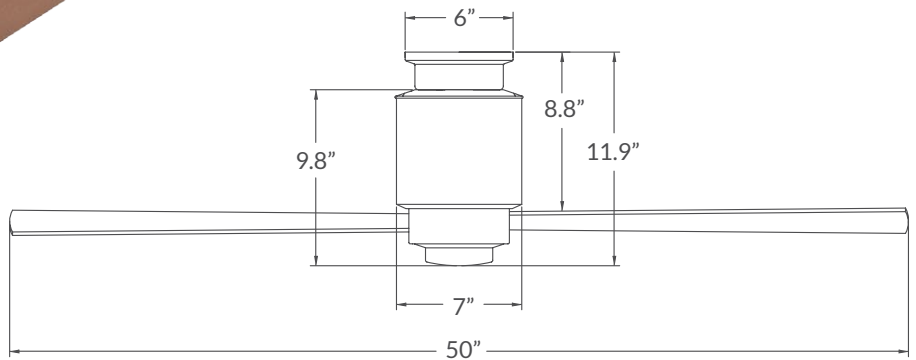
Dark Bronze  
with Mahogany Blades



Gloss White



Galvanized  
with White Blades



## Lapa Flush

	Finish	Blade Span	Blade Color	Light Option	Control Option
<b>#LAP-FM</b>					
	<ul style="list-style-type: none"> <li>▲ <b>GW</b> Gloss White</li> <li>▲ <b>BN</b> Bright Nickel</li> <li>▲ <b>GV</b> Galvanized</li> <li>▲ <b>DB</b> Dark Bronze</li> </ul>	<ul style="list-style-type: none"> <li>▲ <b>50</b> 50" Span</li> </ul>	<ul style="list-style-type: none"> <li>▲ <b>WH</b> White</li> <li>▲ <b>NK</b> Nickel</li> <li>▲ <b>SV</b> Silver</li> <li>▲ <b>BK</b> Black</li> <li>▲ <b>MP</b> Maple</li> <li>▲ <b>MG</b> Mahogany</li> </ul>	<ul style="list-style-type: none"> <li>▲ <b>NL</b> No Light</li> <li>▲ <b>552</b> 17W LED</li> </ul>	<ul style="list-style-type: none"> <li>▲ <b>001</b> Fan Speed Only</li> <li>▲ <b>002</b> Fan &amp; Light - 3 Wire</li> <li>▲ <b>003</b> Handheld Remote</li> <li>▲ <b>004</b> Fan &amp; Light - 2 Wire</li> <li>▲ <b>005</b> Wall/Remote Combo</li> </ul>

### Energy Guide Data

Average Energy Use	Yearly Energy Cost	Average Airflow	Average Efficiency
38 Watts	\$11	3,196 CFM	85 CFM/Watt

### Lapa Flush Special Notes

1. The #552 light kit adds 3-inches to length of this fan.

Above estimates are weighted averages, assuming typical use (excluding light).