



Gloss White



Dark Bronze with Black Blades



tel 541-482-8545
www.modernfan.com

Energy Information

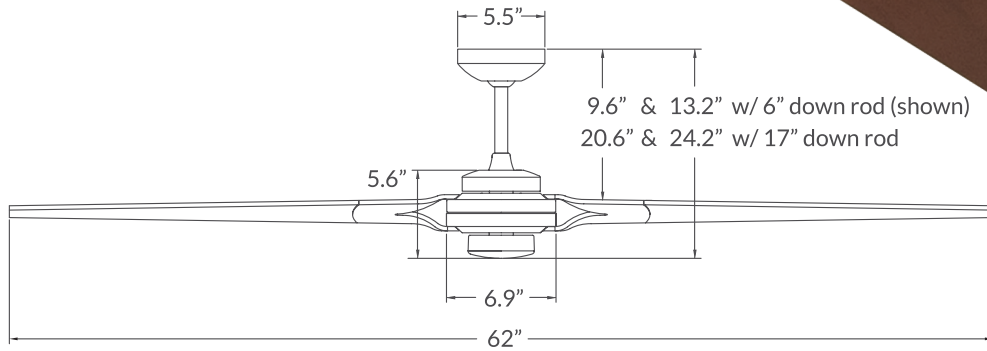
(52" at high speed)

AIRFLOW
6247
Cubic Feet Per Minute

ELECTRICITY USE
75
Watts (excludes lights)

AIRFLOW EFFICIENCY
84
Cubic Feet Per Minute Per Watt

Dark Bronze with Mahogany Blades



Torsion

Includes 6" and 17" down rods, yielding 13.2" or 24.2" overall lengths.
Optional down rods available.

	Finish	Blade Span	Blade Color	Light Option	Control Option
#TOR					
	<ul style="list-style-type: none"> ▲ GW Gloss White ▲ BN Bright Nickel ▲ DB Dark Bronze 	<ul style="list-style-type: none"> ▲ 62 62" Span ▲ 52 52" Span 	<ul style="list-style-type: none"> ▲ WH White ▲ NK Nickel ▲ BK Black ▲ MP Maple ▲ MG Mahogany 	<ul style="list-style-type: none"> ▲ NL No Light ▲ 252 G9 Halogen ▲ 253 GU24 CFL ▲ 270 G9 Halogen 	<ul style="list-style-type: none"> ▲ 001 Fan Speed Only ▲ 002 Fan & Light - 3 Wire ▲ 003 Handheld Remote ▲ 004 Fan & Light - 2 Wire ▲ 005 Wall/Remote Combo



Bright Nickel with 252/253 Light



Bright Nickel with 270 Light

Torsion Special Notes

1. The #252/#253 light kits add 5-inches to length of this fan.
2. The #270 light kit adds 2.5-inches to length of this fan.