



tel 541-482-8545
www.modernfan.com

Energy Information

(52" at high speed)

AIRFLOW
6631
Cubic Feet Per Minute

ELECTRICITY USE
76
Watts (excludes lights)

AIRFLOW EFFICIENCY
88
Cubic Feet Per Minute Per Watt

Matte Nickel with Bamboo Blades



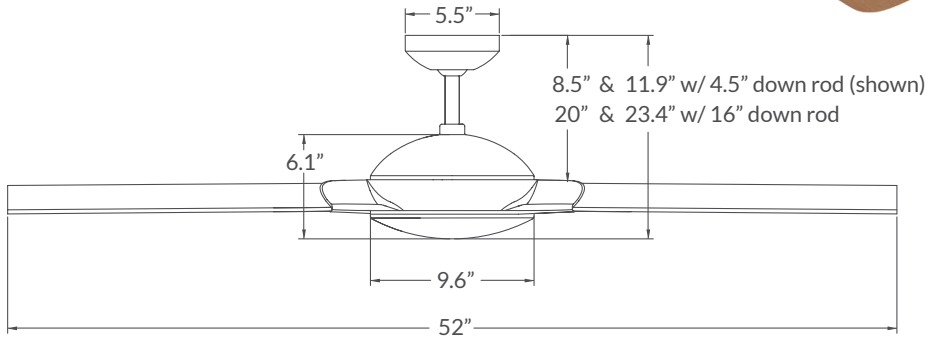
Gloss White



Matte Nickel with 370 Light



Matte Nickel with 371 Light



Flow

Includes 4.5" and 16" down rods, yielding 11.9" or 23.4" overall lengths.
Optional down rods available.

	Finish	Blade Span	Blade Color	Light Option	Control Option
#FLO					
	▲ GW Gloss White MN Matte Nickel	▲ 52 52" Span	▲ WH White NK Nickel BB Bamboo	▲ NL No Light 370 G9 Halogen 371 GU24 CFL	▲ 001 Fan Speed Only 002 Fan & Light - 3 Wire 003 Handheld Remote 004 Fan & Light - 2 Wire 005 Wall/Remote Combo

Flow Special Notes

- The #370 light kit adds 2-inches to length of this fan.
- The #371 light kit adds 3.5-inches to length of this fan.
- Features bent plywood blades.